

# Where Fire Stops



Intumex<sup>®</sup>

Fire Stopping 2008

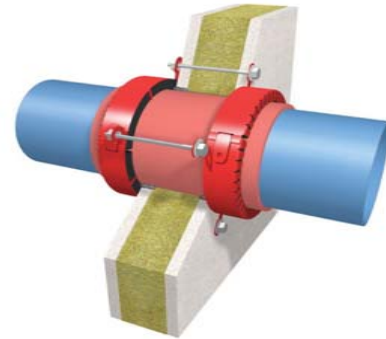
# For Various Applications

Where Fire Stops

Intumex



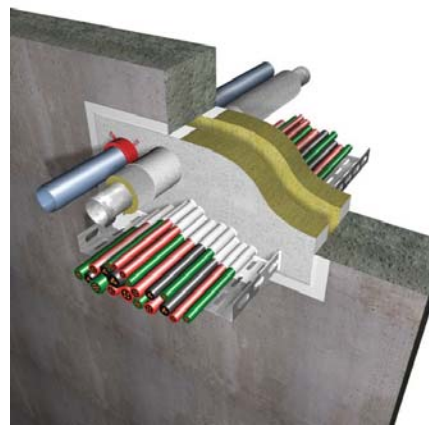
Cables



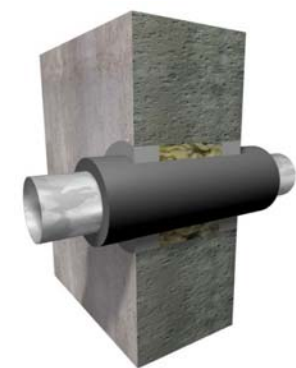
Combustible Pipes



Joints



Multiple Services



Non-Combustible Pipes

# Approvals

Intumex

Where Fire Stops

- EN
- UL
- ASTM
- AS
- BS
- PSB PLS

# Fire Stopping Products

Intumex

Where Fire Stops

- INTUMEX AN SEALANT
- INTUMEX FIRE CEMENT
- INTUMEX PS
- INTUMEX UC
- INTUMEX RS10
- INTUMEX BULKHEAD SEALER
- INTUMEX FB
- INTUMEX FS1
- INTUMEX WRAP

# INTUMEX AN SEALANT

Intumex

Where Fire Stops

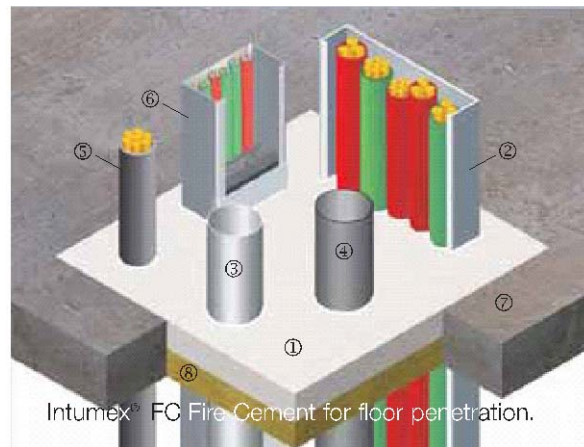
- For joints in walls and floors
- Acrylic based
- Single Component
- Can be painted
- Good adhesion to various substrates
- White/grey
- 310ml cartridges
- Up to 4 hours rating



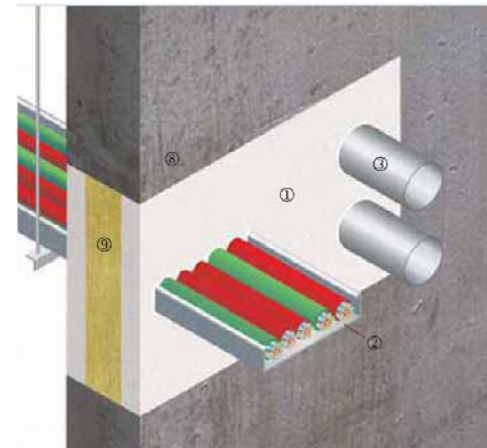


# Intumex Fire Cement

- For floor and wall penetrations
- 20kg bags
- Up to 4 hours rating



Intumex® FC Fire Cement for floor penetration.



Where Fire Stops

# Intumex PS

Intumex

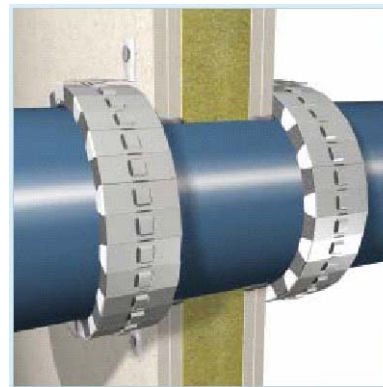
Where Fire Stops

- For floor and wall penetrations
- Graphite-based pillows
- Hassle-free installation
- dust-free installation, suitable for cleanroom areas
- Useable,
- Suitable for temporary penetrations during construction
- Allows regular maintenance/ regular re-running of cables
- Up to 2 hours rating



# Intumex UC

- For common plastic (PVC, PP, PPE) pipes in wall and floor penetrations
- Surface mounted or cast-in
- Minimum wastage, endless strips of 2250mm per box
- Up to 4 hours rating



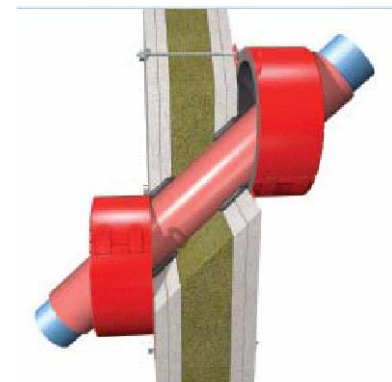
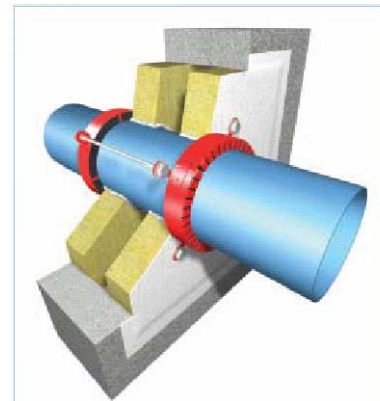
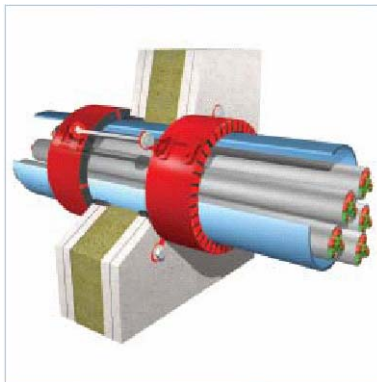
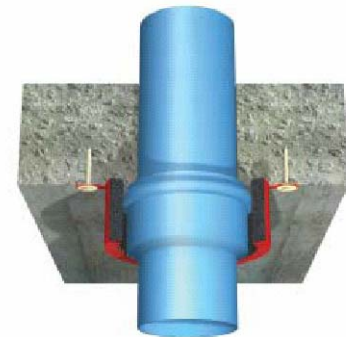
Where Fire Stops

Intumex



# Intumex RS10

- Fire stopping collars for plastic pipes in floor and wall penetrations
- Surface mounted or built-in
- Only single collar is required for floor/ceiling penetrations
- Up to diameter 315mm
- Up to 2 hours rating

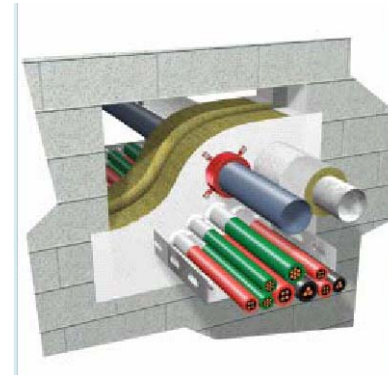
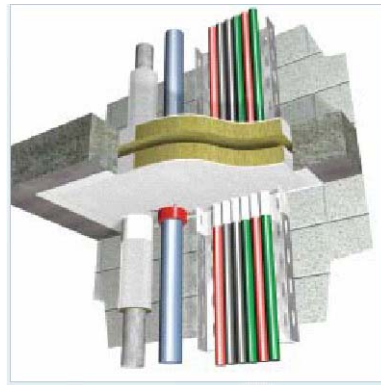


# Intumex Bulkhead Sealer

Intumex

Where Fire Stops

- For floor and wall penetrations
- Up to 2 hours rating

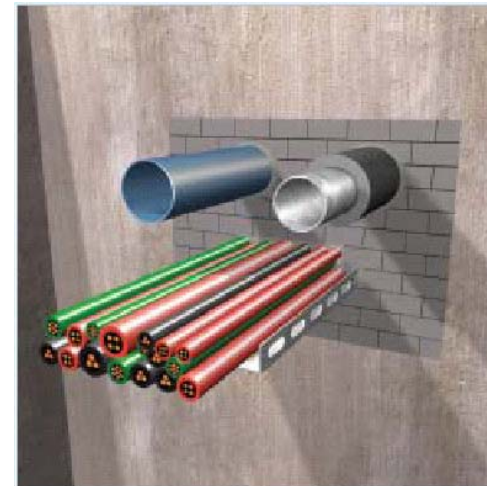


# Intumex FB

Intumex

Where Fire Stops

- For floor and wall penetrations
- Permanently elastic intumescent brick
- Quick and easy, dust-free installation
- Suitable for application in clean room environment, such as hospital and wafer fab plants
- Useable
- Up to 2 hours rating

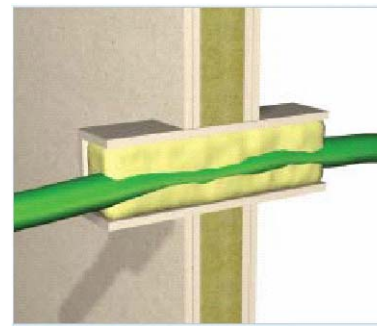
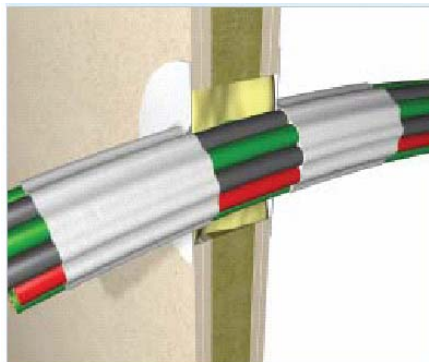


# Intumex FS1

Intumex

Where Fire Stops

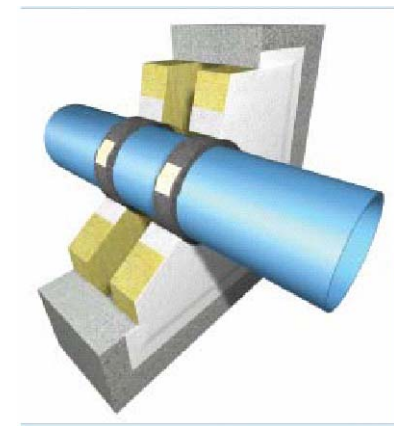
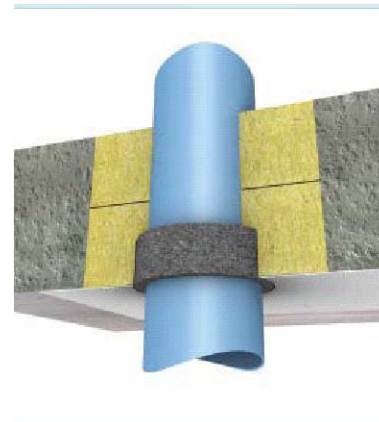
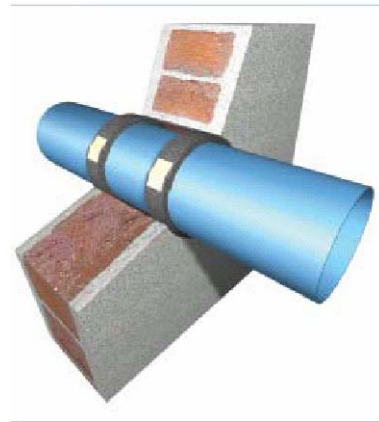
- For small gaps around cables and joints with no movement
- Single component polyurethane foam
- 750ml/can
- For 2 hours rating





# Intumex Wrap

- Most space-efficient solution for plastic pipes penetrations
- For floor and wall penetrations
- For up to 2 hours rating



Where Fire Stops

Intumex



# Other Products

Intumex

Where Fire Stops

## Door Seals





Product	Intumex L	Intumex L-HP	Intumex LXSK
Application	Timber & Steel doors	Steel doors & dampers	Steel doors
Colour	PVC covering: red, white, black	PVC covering: red, white, black	Grey with self adhesive foil
Consistency	Solid, flexible	Solid, flexible	Solid, highly flexible
Expansion Temp	Approx. 150°C	Approx. 180°C	Approx. 190°C
Expansion Rate (30min/550°C)	Up to 18 times	Up to 20 times	Up to 18 times
Expansion Pressure	Min 0.8 MPa	Min 1.2 MPa	Min 0.7 MPa
Density (g/cm <sup>3</sup> )	1.0 +/-0.2	1.2 +/-0.2	1.3 +/-0.2
Reaction to fire	B1	B1	B2
Thickness	1.8mm + 2.5mm	1.8mm	2.0mm
Length	2150 or 1750mm strips or coils	2150 or 1750mm strips or coils	10mm – 50m Beyond – 100m
Width	Sheets: 900mm strips:>10mm coils: 10, >15mm	Sheets: 900mm strips:>10mm coils: 10, >15mm	From 10mm to 200mm



Product	Intumex LXPSK	LFCSK	LWSK
Application	Timber & Steel doors	Steel door	Glazings
Colour	Cover: red, white, brown, black	Grey with self adhesive foil	Grey with self adhesive foil
Consistency	Solid, highly flexible	Solid, highly flexible	Solid, highly flexible
Expansion Temp	Approx. 190°C	Approx. 190°C	Approx. 320°C
Expansion Rate (30min/550°C)	Up to 16 times	Up to 10 times	Up to 20 times
Expansion Pressure	Min 0.7 MPa	Min 0.4 MPa	Expands w/out creating pressure
Density (g/cm <sup>3</sup> )	1.3 +/-0.2	1.1 +/-0.2	1.35 +/-0.3
Reaction to fire	B2	B2	B2
Thickness	2.0mm	1.2mm; 2.0mm	1.2mm; 2.0mm
Length	100m coils	100m coils	10mm – 50m Beyond – 100m
Width	From 10mm to 200mm	From 10mm to 200mm	From 10mm to 200mm

# THANK YOU



Where Fire Stops